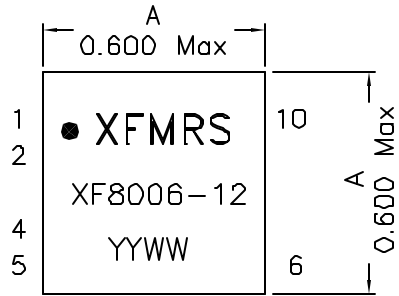
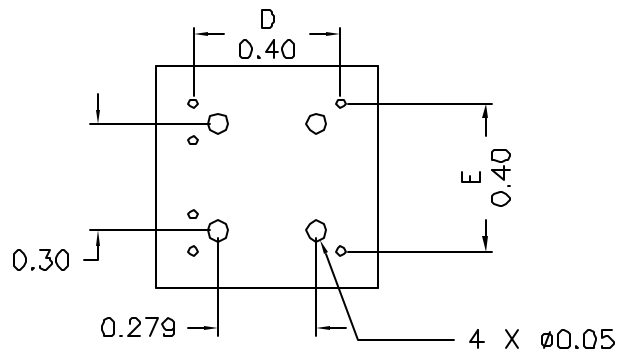
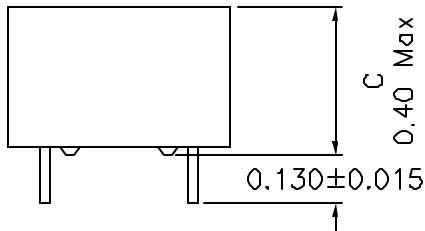


### 1. Dimensions:



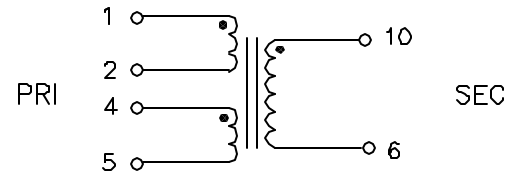
DOT INDICATES PIN 1



(BOTTOM VIEW)

Leads are 22 AWG solderable  
Remove Unused pins

### 2. Schematic:



### 3. Electrical Specifications: @25°C

Isolation: 3000 Vrms (PRI to SEC)

Turns Ratio: 1:1:2 ±5% (PRI:SEC)

PRI OCL: 800uH Minimum @100KHz 50mV

Cw/w: 15pF Maximum @100KHz 50mV (PRI/SEC)

PRI LL: 0.70uH Max @100KHz 50mV (SEC Shorted)

PRI DCR: 0.50 Ohms Maximum

SEC DCR: 0.45 Ohms Maximum

#### Notes:

1. Solderability: Leads shall meet MIL-STD-202G, Method 208H for solderability.
2. Flammability: UL94V-0
3. ASTM oxygen index: > 28%
4. Insulation System: Class F 155°C. UL file E151556
5. Operating Temperature Range: All listed parameters are to be within tolerance from -40°C to +85°C
6. Storage Temperature Range: -55°C to +125°C
7. Aqueous wash compatible
8. Electrical and mechanical specifications 100% tested
9. RoHS Compliant Component
10. UL1950 Recognized for Reinforced Insulation  
UL File #E155855.

<b>XFMRs Inc.</b> <a href="http://www.XFMRs.com">www.XFMRs.com</a>	Title: T1/CEPT/ISDN-PRI TRANSFORMER		
	UNLESS OTHERWISE SPECIFIED	P/N: XF8006-12	REV. B
TOLERANCES: .xxx ±0.010	DWN.	廖玉坤	Apr-10-07
Dimensions in Inch	CHK.	李清儿	Apr-10-07
SCALE 2.5:1 SHT 1 OF 1	APP.	MS	Apr-10-07

DOC. REV B/3